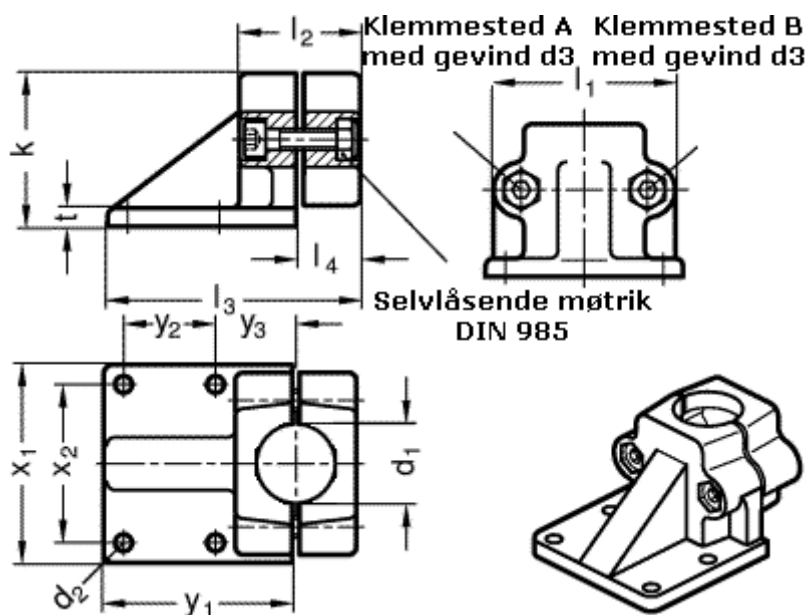


Article number: 20166B452SW

Description: Off-set baseplate clamps GN166-B45-2-SW  
GN166

## Measures



d1 = B45	t = 14
d2 = 11	x1 = 115
d3 = M10	x2 = 90
k = 91	y1 = 108
l1 = 98	y2 = 50
l2 = 70	y3 = 45
l3 = 145	
l4 = 35	